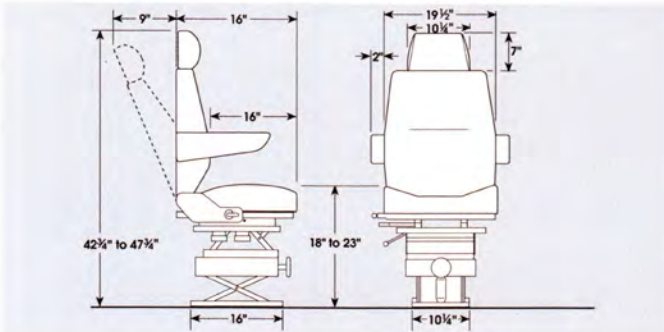
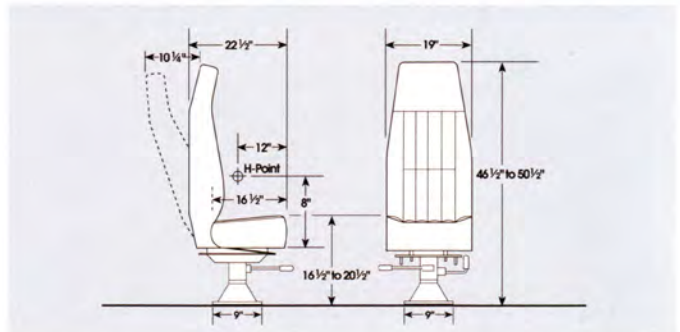


SEAT PRODUCTS - C.E. White Co.

Model 5080R Deluxe Driver's Seat



Model 5075R 95 Percentile Driver's Seat



Features:

- 1", 14-gauge, high carbon steel tubing.
- Anatomically correct seat back and cushion designs.
- Back is made of highly resilient FR polyurethane foam supported by F-63 "Perm-A-Lator" for spinal support.
- Cushion is made of custom molded polyurethanes.
- Finger-tip controls for a variety of seat positions.
- Back tilts 23° from vertical with positive latching in any position.
- Fore and aft positions range to 7".

Options:

- Fabric or vinyl seat cover combinations.
- School Bus Seat Upholstery Fire-Block Compliance when fire-block material is used.
- Adjustable head rest.
- Twin easy release flip-up arm rests - molded or upholstered.
- Adjustable lumbar support.
- Cushion tilt riser with 16° of adjustment from horizontal, front and back, plus positive latching in any position.
- Retractable seat belt.
- Low density "Neoprene" foam cushion with high I.L.D. supported by "Flex-O-Lator" for spinal control.
- Any standard pedestal base (see back page).
- Dust cover and automatic driver weight compensation system (Mechanical ride pedestal only).

Materials meet or exceed:

California BLT 117, Boston Fire Code, Federal Specification CCC-A-680A, FAA (FAR#25.853, Paragraph B), FMVSS 210 when tethers are used, FMVSS 302.

Features:

- 1", 14-gauge, high carbon steel tubing.
- Designed and engineered for original equipment installation or replacement for school bus Classes A, B, C and D.
- Integral head restraint to accommodate a full range of driver heights.
- Back is made of highly resilient FR polyurethane foam supported by F-63 "Perm-A-Lator" for spinal support.
- Cushion is made of custom molded polyurethanes.
- Finger-tip controls for a variety of seat positions.
- Back tilts 23° from vertical with positive latching in any position.
- Fore and aft positions range to 7".

Options:

- Fabric or vinyl seat cover combinations.
- School Bus Seat Upholstery Fire-Block Compliance when fire-block material is used.
- Twin easy release flip-up arm rests - molded or upholstered.
- Adjustable lumbar support.
- Cushion tilt riser with 16° of adjustment from horizontal, front and back, plus positive latching in any position.
- Retractable seat belt.
- Low density "Neoprene" foam cushion with high I.L.D.
- Any standard pedestal base (see back page).
- Dust cover and automatic driver weight compensation system (Mechanical ride pedestal only).

Materials meet or exceed:

FMVSS 210 Type 1 seat belt installation, FMVSS 222 Head Impacts, FMVSS 302.