

# ROSCO PRODUCTS

## EuroStyle® 715 SERIES

### Features and Benefits

- Certified by OEM's to meet FMVSS 111 requirements.
- Compact 8"x15" housing reduces forward blind spots.
- Available in upright and overhang configurations.
- Used on both sides on Type "A" bus and as a driver side mirror on Type "C" and "D" buses.
- Available heated.
- Available motorized or hand adjustable.
- Hidden wiring and connectors.
- 4-way adjustable motors.



Model 715  
shown with  
upright  
Spring-Break®  
mounting arm



Model 715SR

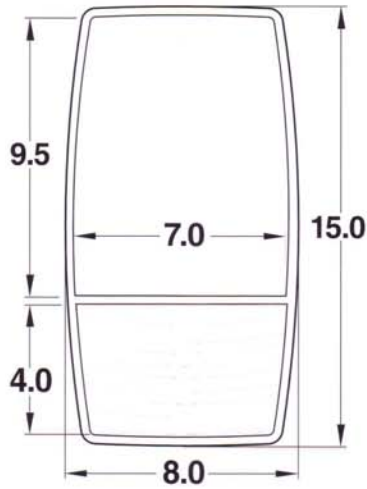
### EUROSTYLE® 715 SERIES 8"X15" DUAL MIRRORS

PART NO.	DESCRIPTION
715	8" x 15" dual mirror, upright mount, 12 volt motorized
715I	8" x 15" dual mirror, upright mount, 12 volt motorized, wired for International switch
715H	Heated, 8" x 15" dual mirror, upright mount, 12 volt motorized
715IH	Heated, 8" x 15" dual mirror, upright mount, 12 volt motorized, wired for International switch
715OG	8" x 15" dual mirror, overhang mount, 12 volt motorized
715IOG	8" x 15" dual mirror, overhang mount, 12 volt motorized, wired for International switch
715OGH	Heated, 8" x 15" dual mirror, overhang mount, 12 volt motorized
715IOGH	Heated, 8" x 15" dual mirror, overhang mount, 12 volt motorized, wired for International switch
715SL/715SR	8" x 15" dual mirror, upright mount, motorized 12 volt with Left or Right signal LEDs
715SLOG/715SROG	8" x 15" dual mirror, overhang mount, motorized 12 volt with Left or Right signal LEDs
715T	8" x 15" dual mirror, two point mount, 12 volt motorized
715TH	Heated, 8" x 15" dual mirror, two point mount, 12 volt motorized
M715	8" x 15" dual mirror, upright mount, hand adjustable
M715H	Heated, 8" x 15" dual mirror, upright mount, hand adjustable
M715OG	8" x 15" dual mirror, overhang mount, hand adjustable
M715OGH	Heated, 8" x 15" dual mirror, overhang mount, hand adjustable
M715T	8" x 15" dual mirror, two point mount, hand adjustable
M715TH	Heated, 8" x 15" dual mirror, two point mount, hand adjustable

# ROSCO PRODUCTS

## EuroStyle®

### 715 SERIES



#### REPLACEMENT PARTS

PART NO.	DESCRIPTION
715/1	7" x 9.5" flat mirror glass
715H/1	7" x 9.5" flat mirror glass, heated
715D/1	7" x 4" convex mirror glass
715DH/1	7" x 4" convex mirror glass, heated
715/4	7" x 9.5" flat mirror carrier and motor assembly
715D/4	7" x 4" convex mirror carrier and motor assembly
M715/4	7" x 9.5" flat mirror carrier and hand swivel assembly
M715D/4	7" x 4" convex mirror carrier and hand swivel assembly
CAP	Connector access panel available with various company logos
CAP1001	Rubber grommet for 715 & 717 series mirrors
715/SHELL	Shell for 715 mirrors
715SL/1	7" x 9.5" flat mirror glass with Left signal LEDs
715SR/1	7" x 9.5" flat mirror glass with Right signal LEDs



Model 7150G

